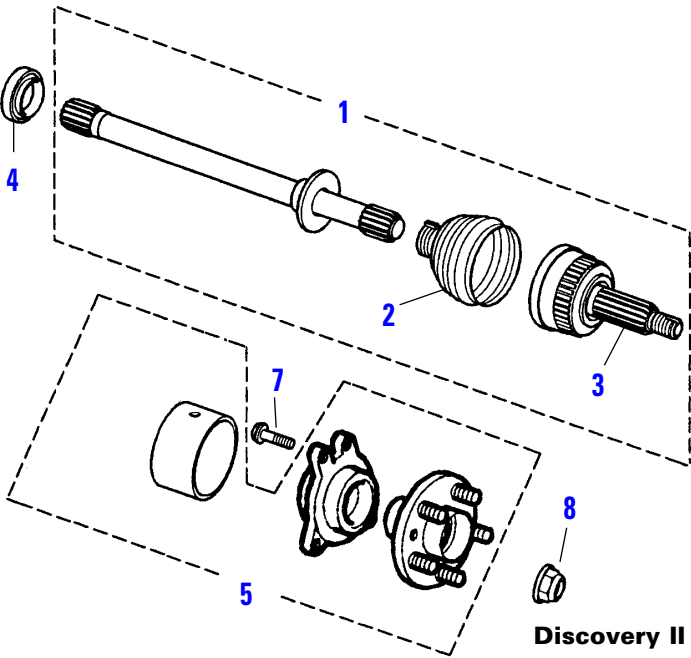


**Discovery II
Front Axle**



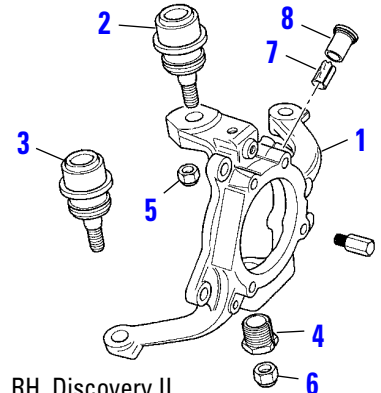
**Discovery II
Front Axle Shaft
& CV Joint**

Front Axle Drive Shafts, CV Joint

Discovery II

- 1. **RNH120** Driveshaft, Front RH, Discovery II
- RNH119** Driveshaft, Front LH, Discovery II
- 2. **RND672** Kit Gaiter, Outer Joint Driveshaft, Discovery II
- 3. **RND674** CV Joint, Discovery II
- 4. **RND484** Seal, Front Driveshaft, RR P38A, Discovery II
- 5. **RND676** Hub Assembly, Front, Discovery II.....incl. ABS sensor
- 7. **RND678** Bolt, Flanged.....8 required
- 8. **RND679** Nut, Staked2 required
- RND680** Stud, Wheel Front Hub.....5 required

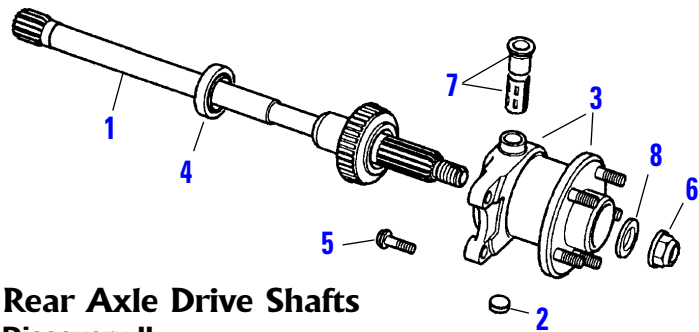
Discovery II Front Axle Steering Knuckle



Front Axle Steering Knuckle

Discovery II

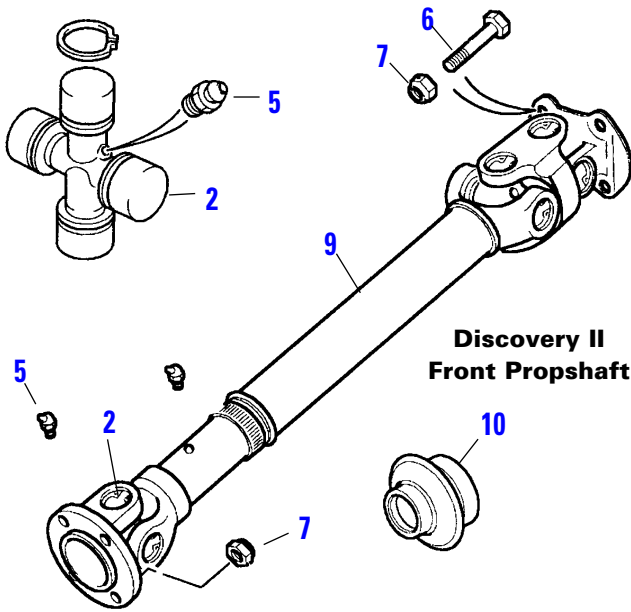
- 1. **RNH121** Hub, Swivel ABS, RH, Discovery II
- RNH122** Hub, Swivel ABS, LH, Discovery II
- 2. **RND486** Joint, Ball, Upper, Front2 required
- 3. **RND487** Joint, Ball, Lower, Front2 required
- 4. **RND683** Collet, Steering Knuckle Tension2 required
- 5. **RND685** Locknut, Upper, Discovery II2 required
- 6. **RND687** Locknut, Upper, Discovery II2 required
- 7. **RNS106** Bushing, ABS Sensor, RR P38A.....2 required
- 8. **RND488** Adaptor, ABS, RR P38A.....2 required



Rear Axle Drive Shafts

Discovery II

- 1. **RND690** Driveshaft, Rear, RH, Discovery II
- RND691** Driveshaft, Rear, LH, Discovery II
- 2. **RND692** Plug, Blanking, RR P38A
- 3. **RND694** Hub Assembly, Rear, Discovery II, incl. ABS sensor
- 4. **RND489** Seal Assembly, Front/Rear Hub
- RND695** O-Ring, Discovery II only.....2 required
- 5. **RND678** Bolt, Flanged Head, Discovery II.....8 required
- 6. **RND679** Nut, Staked2 required
- 7. **RNS106** Adaptor, Sensor ABS, RR P38A.....2 required
- 8. **RND066** Spacer, RR P38A2 required



**Discovery II
Front Propshaft**

Propshaft- Front, Discovery II, 3 U-Joints

- 2. **RNF411** Universal Joint2 required
- 5. **RND475** Nipple Grease.....2 required
- 6. **RNC184** Bolt4 required
- 7. **RNE478** Nut*8 required

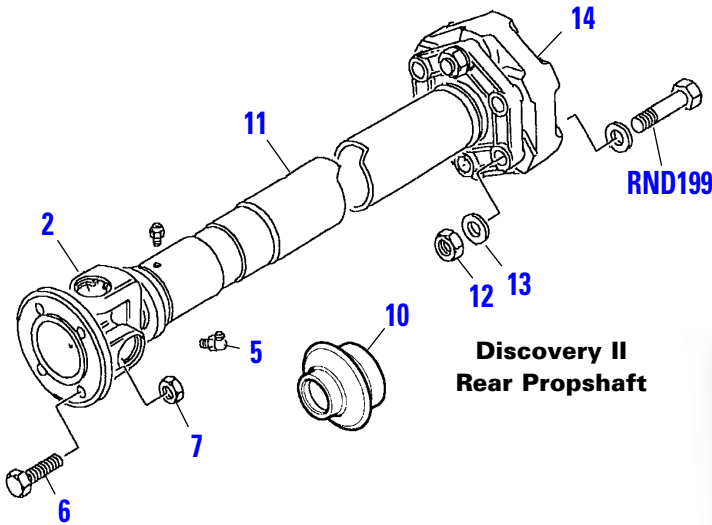
**Note: Should replace if removed*

- 9. **RND665** Propshaft, Front, Discovery IIGenuine
- PLD665** Propshaft, Front, Discovery IIProLine
- 10. **RND664** Gaiter, Propshaft Sliding Joint

Propshafts- Rear with Flexi-Coupling

- 11. **RND668** Propshaft, RearDiscovery II
- 12. **RND198** Nut, Prop Shaft*6 required
- 13. **RND197** Washer, Plain, 12mm12 required
- 14. **RND196** Coupling, Rear Propshaft.....Discovery II

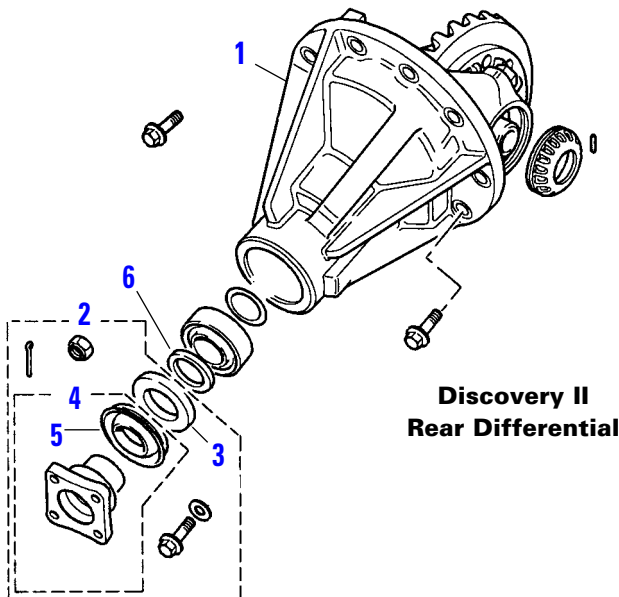
**Note: Should replace if removed*



**Discovery II
Rear Propshaft**

*Thank you Rovers North,
Thank you to Rovers North for the service you provide to all
of us Land Rover owners. The medium duty Old Man Emu
suspension and K&N Air Filter that I purchased from Rovers
North for my Discovery II has performed flawlessly.*

Brian Hippley



**Discovery II
Rear Differential**

Differential - Discovery II

Differentials

- 1. **RND478** Front or Rear Differential, New, Discovery II
Used differentials available for all models- please call

Flange Kits

- 2. **RNH123** Flange Kit Differential, Front & Rear, 4 Bolt, Discovery II

Seals

- 3. **RND481** Pinion Seal, Front & Rear, Discovery II

Flange and Mudshield

- 4. **RNH123** Flange & Mudshield, Front & Rear, Discovery II
- 5. **RND670** Mudshield, Front & Rear Differential, Discovery II
- 6. **RNC317** Washer Differential Pinion