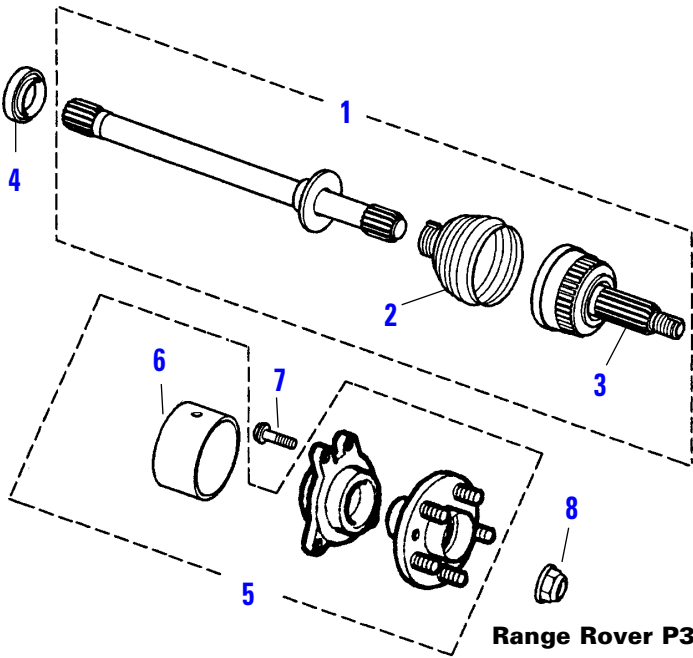


**Range Rover P38A  
Front Axle**



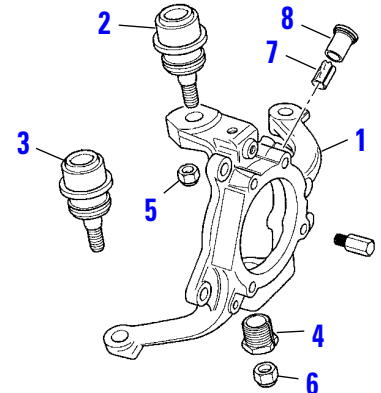
**Range Rover P38A  
Front Axle Shaft  
& CV Joint**

## Front Axle Drive Shafts, CV Joint

### Range Rover P38A

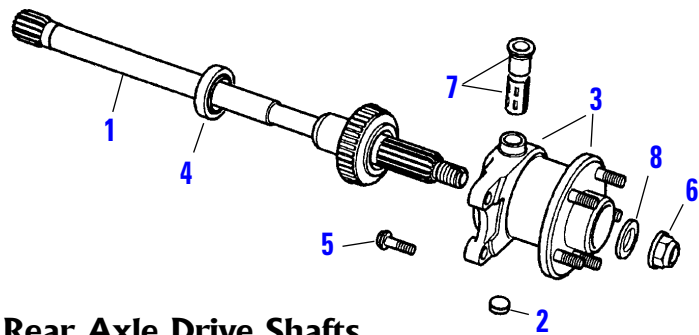
1. **RNH064** Driveshaft, Front RH, RR P38A  
**RNH065** Driveshaft, Front LH, RR P38A
2. **RND483** Kit Gaiter, Outer Joint Driveshaft, RR P38A
3. **RND673** CV Joint, RR P38A
4. **RND484** Seal, Front Driveshaft, RR P38A
5. **RND485** Hub Assembly, Front RH, RR P38A  
**RND675** Hub Assembly, Front LH, RR P38A
6. **RND677** Shield, CV Joint for ABS Sensor.....RR P38A only
7. **RND678** Bolt, Flanged.....8 required
8. **RND679** Nut, Staked .....2 required  
**RND680** Stud, Wheel Front Hub.....5 required

## Range Rover P38A Front Axle Steering Knuckle



## Front Axle Steering Knuckle Range Rover P38A

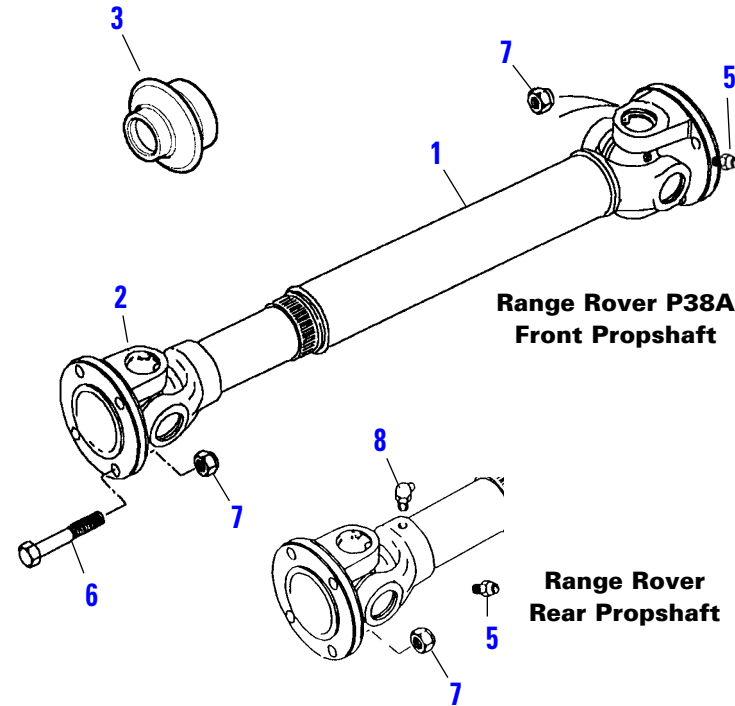
1. **RND681** Hub, Swivel ABS, RH, RR P38A  
**RND682** Hub, Swivel ABS, LH, RR P38A
2. **RND486** Joint, Ball, Upper, Front .....2 required
3. **RND487** Joint, Ball, Lower, Front .....2 required
4. **RND683** Collet, Steering Knuckle Tension .....2 required
5. **RND684** Locknut, Upper, RR P38A .....2 required
6. **RND686** Locknut, Lower, RR P38A .....2 required
7. **RNS106** Bushing, ABS Sensor, RR P38A .....2 required
8. **RND488** Adaptor, ABS, RR P38A .....2 required



## Rear Axle Drive Shafts

### Range Rover P38A

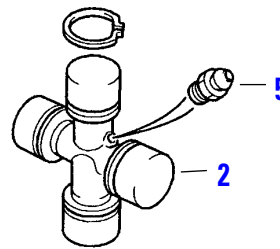
1. **RND688** Driveshaft, Rear, RH, RR P38A  
**RND689** Driveshaft, Rear, LH, RR P38A
2. **RND692** Plug, Blanking, RR P38A
3. **RND693** Hub Assembly, Rear, RR P38A
4. **RND489** Seal Assembly, Front/Rear Hub
5. **RND696** Bolt, Flanged Head, RR P38A .....6 required
6. **RND679** Nut, Staked .....2 required
7. **RNS106** Adaptor, Sensor ABS, RR P38A .....2 required
8. **RND066** Spacer, RR P38A .....2 required



### Propshafts - Front and Rear with 2 U-Joints

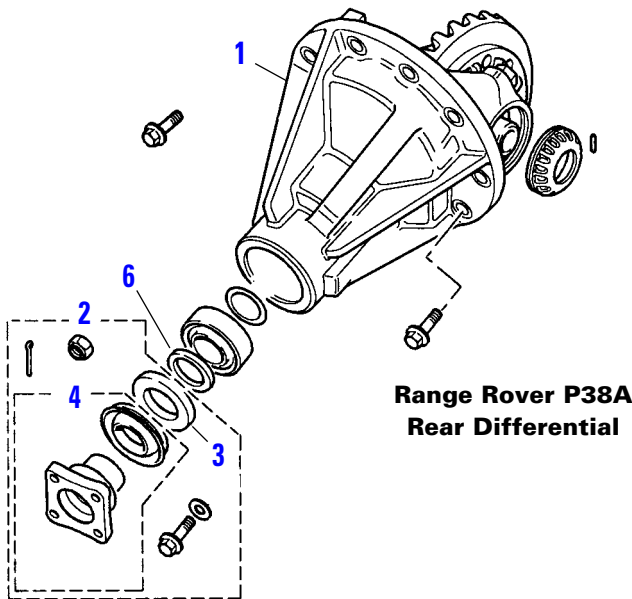
- 1. **RND474** Propeller Shaft, Front, RRP38A.....4.0 / 4.6 ltr
- RND663** Propeller Shaft, Rear, RRP38A.....4.0 / 4.6 ltr
- 2. **RNF411** Universal Joint .....2 required
- 3. **RND664** Gaiter, Range Rover P38A
- 5. **RND475** Nipple Grease.....2 required
- 6. **RNC184** Bolt .....4 required
- 7. **RNE478** Nut\*.....8 required
- 8. **RND476** Nipple Grease, Rear .....1 required

\*Note: Should replace if removed



*Thank you Rovers North,  
Thank you to Rovers North for the service you provide to all  
of us Land Rover owners. The medium duty Old Man Emu  
suspension and K&N Air Filter that I purchased from Rovers  
North for my Discovery II has performed flawlessly.*

*Brian Hippley*



### Differential - Range Rover P38A

#### Differentials

- 1. **RND478** Front or Rear Differential, New
- Used differentials available for all models- please call*

#### Flange Kits

- 2. **RND479** Flange and Seal Kit, Front & Rear.....4 Bolt..RR P38A

#### Seals

- 3. **RND479** Flange and Pinion Seal Kit, Front & Rear.....RR P38A

#### Flange and Mudshield

- 4. **RND479** Flange & Seal Kit, Front & Rear .....RR P38A
- 6. **RNC317** Washer Differential Pinion