



Part Nr. RNA084  
Fits: Series IIA, III

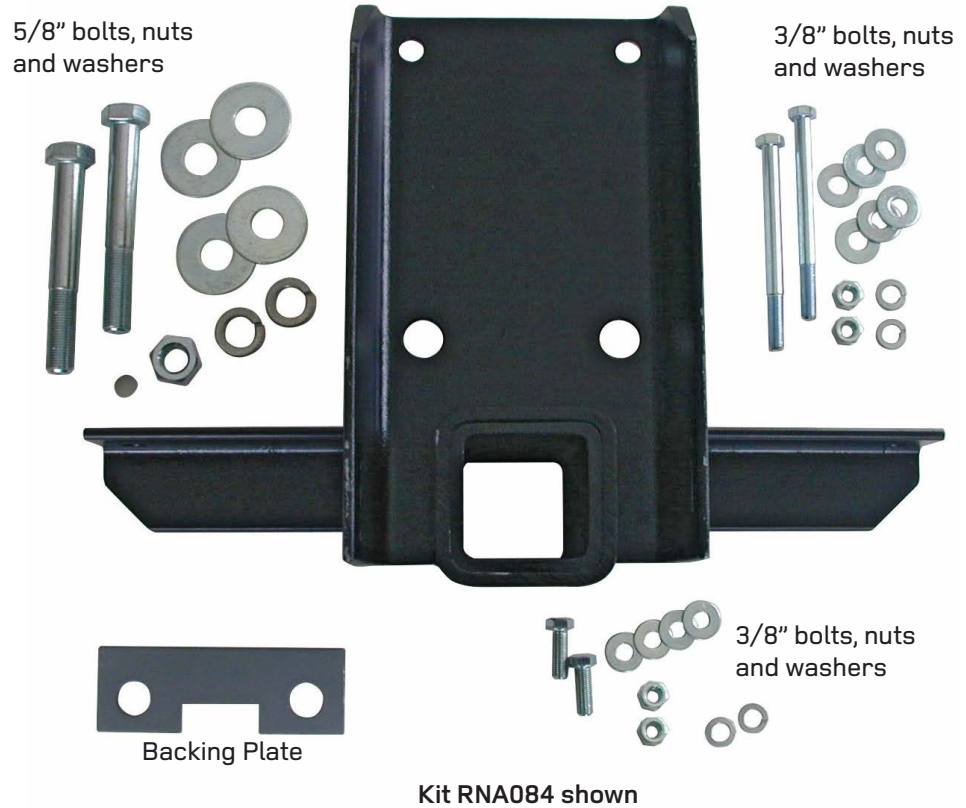
### Suggested Tools:

- Safety glasses
- 1/2" or 3/8" socket driver
- 9/16" socket / wrench
- 15/16" socket / wrench
- Waxoyl protectant



# Class III Receiver Hitch for Series IIA & III Chassis

**READ ALL INSTRUCTIONS COMPLETELY BEFORE BEGINNING!**



5/8" bolts, nuts and washers

3/8" bolts, nuts and washers

Backing Plate

Kit RNA084 shown

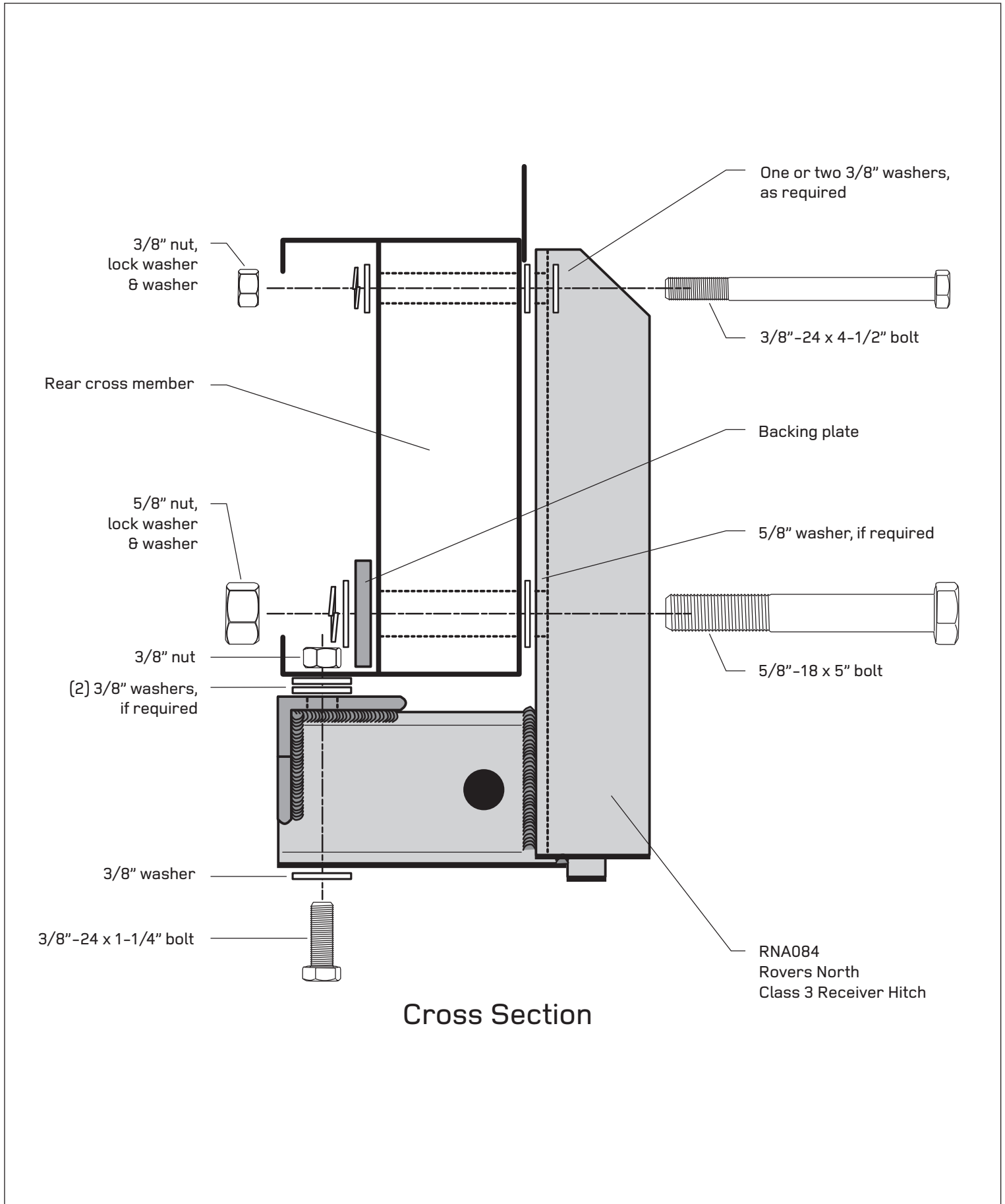
### Installation

1. Remove the tow plate assembly from the rear frame member if so equipped. For 109" Station Wagons the fuel tank will need to be lowered to gain access to the back of the rear frame member.

Note: Leave all hardware loose until end of project and tighten all at once.

2. Insert the supplied 5/8" bolts through the bottom holes in the face of the receiver hitch and use one washer as a spacer between the receiver hitch and rear frame member. Be sure to include backing plate with bottom bolts.
3. Insert the supplied 3/8" bolts with flat washers through the top holes in the face of the receiver hitch and use two washers as spacers on each bolt between the receiver hitch and rear frame member. Fasten with washers and nuts provided.
4. Insert the two remaining bolts up through the bottom of the rear frame member, using washers as spacers. Tighten all hardware, torque settings: 3/8" bolts = 37 ft/lb and 5/8" bolts = 180 ft/lb.

**Fitting Instructions for Class III Receiver Hitch – Series IIA & III Chassis**



**Cross Section**