



THE SOURCE FOR CLASSIC LAND ROVER PARTS

www.roversnorth.com

# Fitting Instructions for Defender Winch Bumper with LED Running Lights

Part Nr. RNA2120

Fits: Defender 90, Defender 90 NAS,  
Defender 110, Defender 110 NAS  
Defender 130

## Suggested Tools:

- Various Wrenches, Sockets
- Safety Glasses
- Soldering Iron
- Heat Shrink Tubing
- Wire Stripper



Various Sockets, Wrenches



Wire Stripper

Soldering Iron,  
Solder & Flux



Heat Shrink Tubing



Safety Glasses

**READ ALL INSTRUCTIONS COMPLETELY BEFORE BEGINNING!**



RNA2120 shown above with optional Brush Guard, Winch, Recovery Points, and Hella Rallye 4000 Lights

## Preparation:

- Step 1.** Remove Defender front bumper. Set all four bolts aside.
- Step 2.** Remove recovery eyelets. Set both eyelets, the two nuts, and two bolts aside.
- Step 3.** Remove bolt-receiving clips from bottom of bumper and inspect. It is recommended you replace these clips if corroded.
- Step 4.** Install clips in your new winch bumper.
- Step 5.** Install running light wiring harness (see wiring diagram on page 3).



**Fitting Instructions for Defender Winch Bumper with LED Running Lights****Installation:**

**Step 1.** Using the supplied hardware, install daytime running lights loosely, as you will need to align them later.

**Step 2.** With assistance, lift bumper onto vehicle and begin to re-install the four bolts. This process requires patience, as the clips can spin with the bolt on occasion. It is recommended you use a thin rod to help with alignment.

**Step 3.** Install recovery eyelets and the associated hardware.

**Step 4.** Connect your daytime running lights to the harness.

This bumper was engineered to be a perfect fit for all winches with the WARN9 bolt pattern. Once lowered onto the bumper, follow your winch's installation instructions.

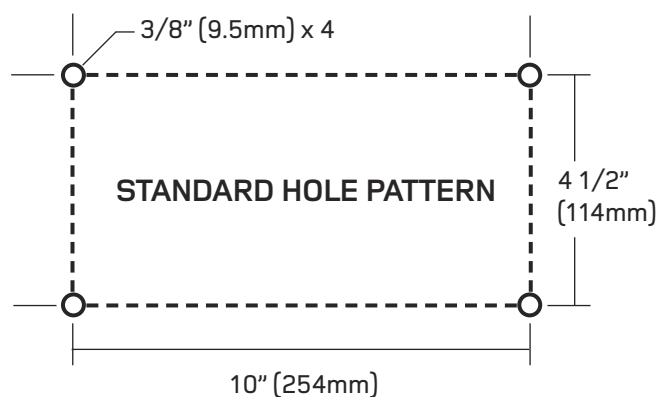
**Post-Installation:**

**Step 1.** Align running lights.

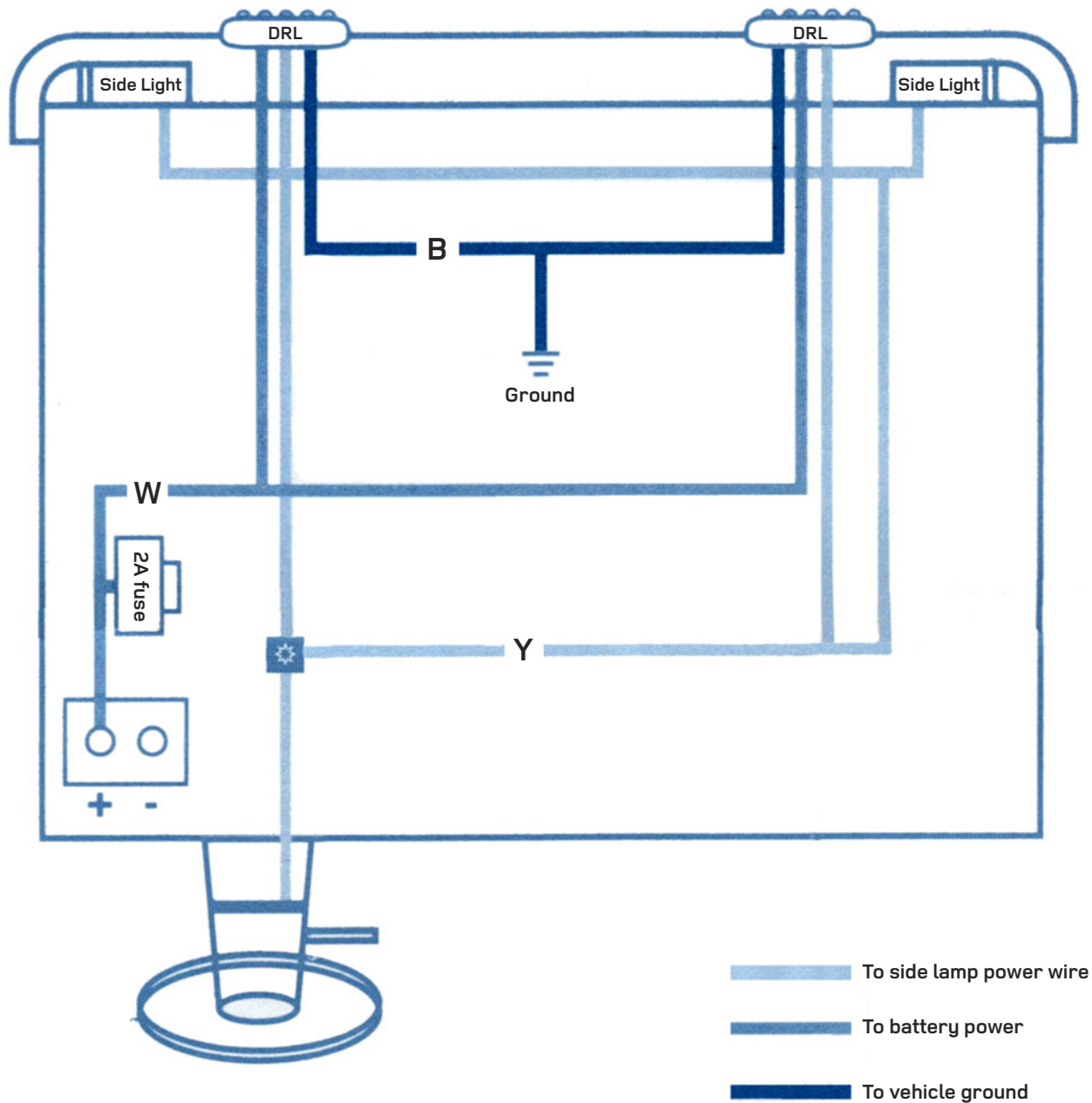
**Step 2.** Test all electronic functionality of your winch and bumper.

**Step 3.** Ensure that all hardware is tightened properly.

**Rovers North recommends** replacing the supplied positive battery cable with zero gauge line that goes directly down the left-hand chassis rail and onto the positive battery terminal in the battery box. Ground your winch to the battery ground cable on the chassis.

**Mounting Bolt Pattern:****10" x 4.5" (254mm x 114.3mm)**

**Fitting Instructions for Defender Winch Bumper with LED Running Lights**



**Electrical:**

**Step 1.** Connect wiring harness as shown in diagram above.

**Step 2.** Be sure to install a 2 AMP fuse inline between the white battery wire and your unswitched battery source.

**Step 3.** Connect the yellow feed wire to the light circuit.

**Step 4.** Connect the ring terminal on the black wire to a suitable ground point on the chassis.