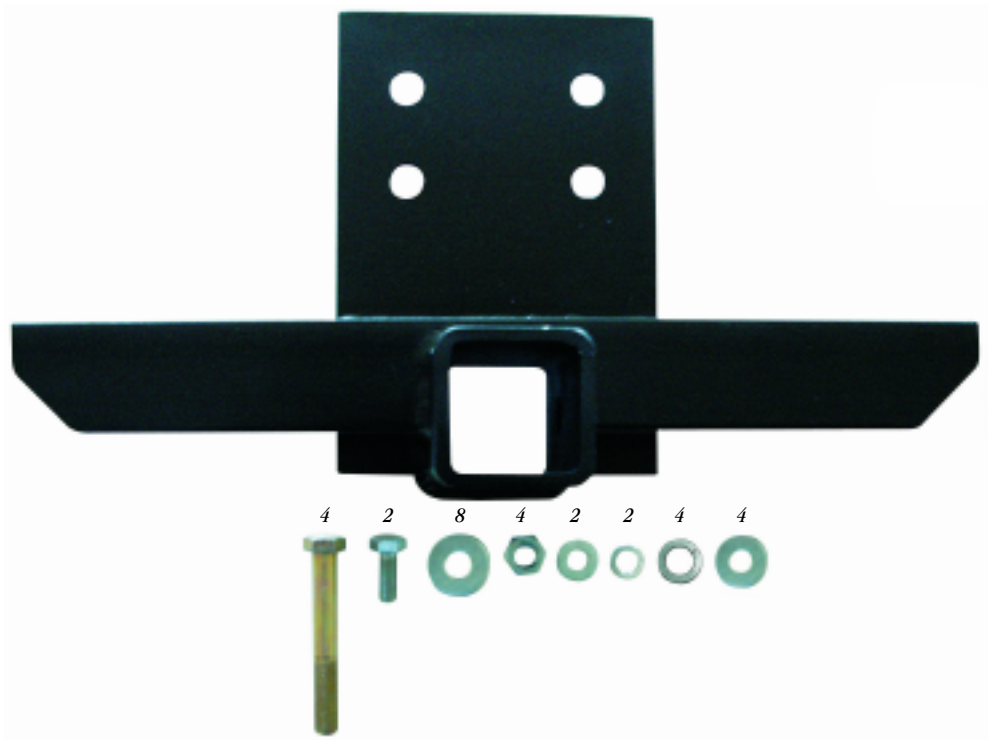




T H E S P E C I A L I S T S I N L A N D R O V E R S • U S A

Rear Receiver Hitch for Defender 90/110

1. Remove the tow plate assembly from the rear frame member if so equipped. For 109" Station Wagons the fuel tank will need to be lowered to gain access to the back of the rear frame member.
2. Insert the supplied 5/8" bolts with flat washers through the bottom holes in the face of the receiver hitch and use one washer as a spacer between the receiver hitch and rear frame member.
3. Insert the supplied 3/8" bolts with flat washers through the top holes in the face of the receiver hitch and use two washers as spacers on each bolt between the receiver hitch and rear frame member. Fasten with washers and nuts provided.
4. Insert the two remaining bolts up through the bottom of the rear frame member, using washers as spacers. Tighten all hardware.



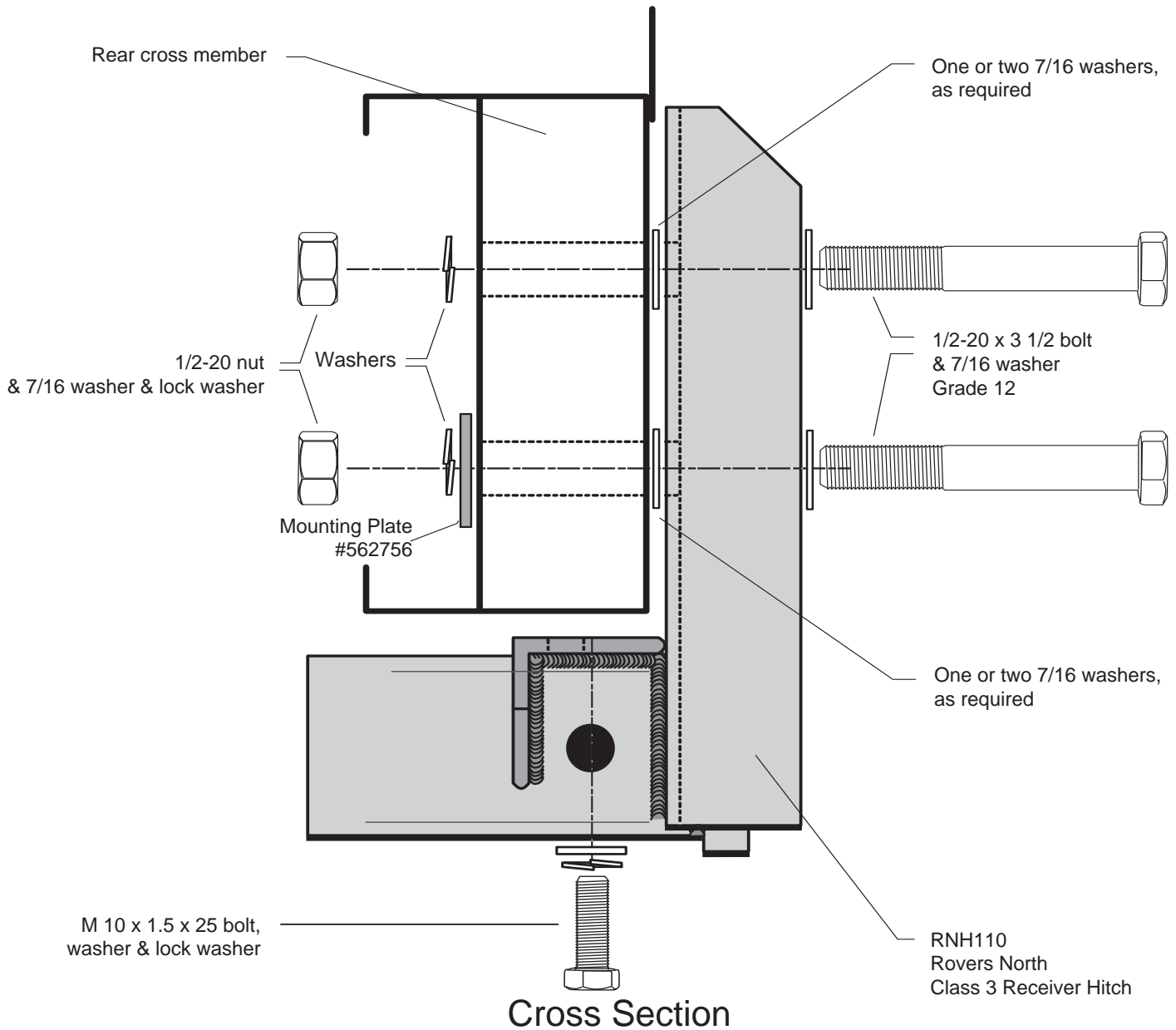
1 800 403-7591

or (802) 879-0032 • Fax: (802) 879-9152
email@roversnorth.com • www.roversnorth.com

Rovers North, Inc. • 1319 VT Rt. 128 • Westford, Vermont • 05494-9601 USA



T H E S P E C I A L I S T S I N L A N D R O V E R S • U S A





T H E S P E C I A L I S T S I N L A N D R O V E R S • U S A

Instructions Questionnaire

We rely on our customers to help us continually improve our instruction sheets. Please FAX or mail any comments, questions, or ideas for improvements you may have.

Send To: Rovers North
1319 Vermont Route 128
Westford, VT 05494

or Fax: 802-879-9152

Your Name: _____
Address: _____

Phone #: _____
Email Adrs: _____

Instruction part number (top right corner) or description of what instructions are: _____
Overall, how would you rate the quality of this set of instructions? (please circle one):

Poor		Fair		Good		Very Good		Excellent	
1	2	3	4	5	6	7	8	9	10

Ideas, Comments, or Corrections (please include specifics, such as page number, or step number):

THANK YOU!

1 802 879-0032 or (800) 403-7591 • Fax: (802) 879-9152
email@roversnorth.com • www.roversnorth.com
Rovers North, Inc. • 1319 VT Rt. 128 • Westford, Vermont • 05494-9601 USA